

# SPARE PARTS LIST

MODEL NO. HM1810

ITEM	PART NO.	DESCRIPTION	QTY	NOTE
001	322566-3	SCREW SEAL HM1800	1	
002	211256-2	BALL BEARING 6203LLB	1	
003	267706-5	WASHER 17 HM1800	1	
004	*****	*****	***	*****
005	681646-7	INSULATION WASHER HM1800	1	
006	211066-7	BALL BEARING 6200LLB/9402	1	
007	263002-9	RUBBER PIN 4/9402/HR160DWH/903	4	
008	154586-7	MOTOR HOUSING B COMPLETE	1	
009	191957-7	CARBON BRUSH CB-204	1	
010	643710-2	BRUSH HOLDER CAP 9029 ANTISLIP	2	
011	317899-9	BEARING BOX	1	
012	265366-7	HEX. SOCKET HEAD BOLT M6X22	4	
013	240024-6	FAN 100 HM1800	1	
014	253165-9	FLAT WASHER 8	1	
015	931402-8	HEX. NUT M8	1	
016	265344-7	HEX HD SCREW M5X85 HM1800	2	
017	*****	*****	***	*****
018	414787-2	MOTOR HOUSING HM1800	1	
019	254001-2	WOODRUFF KEY 4	2	
020	213507-9	O RING 40	1	
021	256151-9	PIN 5 HM1800	1	
022	154585-9	GEAR HOUSING COMPLETE INC. 20,28	1	
023	211209-1	BALL BEARING 6202 HM1800	1	
024	226251-9	SPUR GEAR 22 HM1800	1	
025	254001-2	WOODRUFF KEY 4	2	
026	211361-5	BALL BEARING 6305LLB HM1800	1	
027	213476-4	OIL SEAL 35 HM1800	1	
028	213721-7	O RING 61 HM1800/HM1304B	1	
029	213806-9	O RING 90 HR2510/HM1202C	1	
030	154588-3	CRANK SHAFT COMPLETE	1	
031	317903-4	CRANK HOUSING	1	
032	263002-9	RUBBER PIN 4/9402/HR160DWH/903	1	
033	*****	*****	***	*****
034	*****	*****	***	*****
035	221793-8	HELICAL GEAR 50 HM1800	1	
036	211209-1	BALL BEARING 6202 HM1800	1	
037	922496-4	HEX SOCKET HD BOLT M8X75 HM1	4	
038	418415-1	SIDE HANDLE HM1800	1	
039	922353-6	HEX.SOCKET HEAD BOLT M6X30	4	
040	317902-6	GEAR HOUSING COVER	1	
041	211214-8	BALL BEARING 6302 HM1400K/HM13	1	
042	961060-6	RETAINING RING S-20	1	
043	226242-0	SPUR GEAR 47 HM1800	1	
044	331416-1	'SLEEVE 25 HM1800	1	
045	962301-3	RETAINING RING R-62 HM1800	1	
046	922331-6	HEX. SOCKET HEAD BOLT M6X20	4	
047	941152-7	FLAT WASHER 6	4	
048	183984-8	MOTOR HOUSING COVER SET INC. 134	1	
049	267296-8	FLAT WASHER 63	1	
050	324580-5	SPACER	1	
051	212358-7	NEEDLE BEARING 2520	1	
052	322476-4	CONNECTING ROD HM1800	1	
053	213662-7	O RING 55	1	
054	324536-8	PISTON	1	
055	268130-5	PIN 15	1	
056	213666-9	O RING 52 HM1800	1	
057	331694-3	CYLINDER LINER 62	1	
058	213666-9	O RING 52 HM1800	1	
059	324546-5	STRIKER	1	

# SPARE PARTS LIST

MODEL NO. HM1810

ITEM	PART NO.	DESCRIPTION	QTY	NOTE
060	418949-4	SPACER 68	1	
061	154589-1	BALLANCER COMPLETE	1	
062	418949-4	SPACER 68	1	
063	212075-9	NEEDLE ROLLER BEARING 1010	1	
064	324535-0	CONNECTING ROD	1	
065	213855-6	O RING 95 HM1400	1	
066	317900-0	CRANK BOX	1	
067	922331-6	HEX. SOCKET HEAD BOLT M6X20	4	
068	267297-6	FLAT WASHER 65	1	
069	212701-0	NEEDLE BEARING 7025	1	
070	154587-5	CRANK COMPLETE	1	
071	257267-3	RING 10	1	
072	267297-6	FLAT WASHER 65	1	
073	962354-2	RETAINING RING R-80	1	
074	213765-7	O RING 78	1	
075	418952-5	STOPPER	1	
076	265908-7	HEX. SOCKET HEAD BOLT M5X16	2	
077	345569-0	PLATE	1	
078	256151-9	PIN 5 HM1800	1	
079	324606-3	CAP	1	
080	162241-7	GASKET	1	
081	317905-0	BARREL	1	
082	942301-9	SPRING WASHER 12	4	
083	922677-0	HEX SOCKET BOLT M12X55 HM1800	4	
084	213660-1	O RING 53 HM1800	1	
085	322548-5	CYLINDER B HM1800	1	
086	262050-5	RUBBER RING 54 HM1800	1	
087	951272-9	SPRING PIN 8-40	2	
088	324238-6	TOOL RETAINER SHAFT HM1800	1	
089	324236-0	TOOL RETAINER HM1800 only	1	
090	256219-1	PIN 4 HM1300/HM1303B/HR3000C	2	
091	322477-2	TOOL RETAINER HM1303B/HM1800	2	
092	233083-7	COMPRESSION SPRING 12 HM1800	2	
093	322560-5	RETAINER RING HM1303B/04B	2	
094	265989-1	HEX SOCKET BOLT M12X45 HM1800	4	
095	253989-3	SPRING WASHER 12	4	
096	324539-2	TOOL HOLDER 29	1	
097	213755-0	O RING 75 HM1400/BO4900V/5021	1	
098	213517-6	Y RING 40 8600N	1	
099	324545-7	IMPACT BOLT	1	
100	213667-7	O RING 60 AN942/HM1800	1	
101	324541-5	IMPACT BOLT HOLDER	1	
102	*****	*****	***	*****
103	682546-4	CORD GUARD 12-125 HM1800	1	
104	*****	*****	***	*****
105	638378-7	LEAD UNIT	1	
106	418951-7	LENS	1	
107	317901-8	REAR CASE	1	
108	922366-7	HEX. SOCKET HEAD BOLT M6X45	4	
109	861399-6	HM1810 NAME PLATE	1	
110	418954-1	TOP COVER	1	
111	419044-3	HANDLE SUB BASE	1	
112	685700-9	SPONGE SHEET JN3200/JR3030T	1	
113	685722-9	SPONGE SHEET RP1110C/8406/3620	1	
114	688131-1	LINE FILTER MT240	1	
115	687053-2	STRAIN RELIEF 110V 9920/9903	1	
116	265995-6	TAPPING SCREW 4X18	2	
117	645200-1	NOISE SUPPRESSOR LS0714 only	1	
118	685722-9	SPONGE SHEET RP1110C/8406/3620	1	
119	654554-5	TERMINAL	2	
120	265535-0	HEX.SOCKET HEAD BOLT M6X65	4	

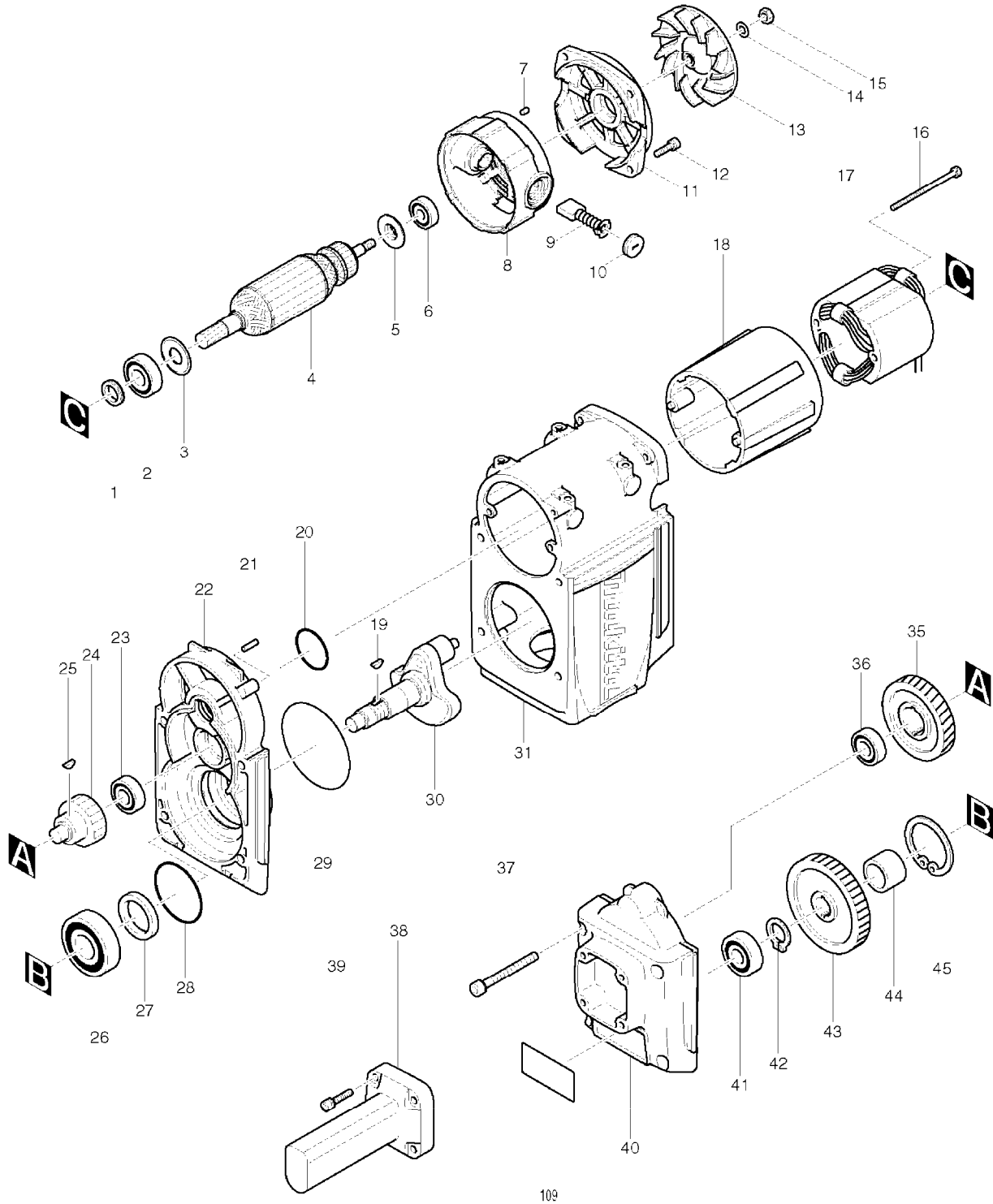
# SPARE PARTS LIST

MODEL NO. HM1810

ITEM	PART NO.	DESCRIPTION	QTY	NOTE
121	941152-7	FLAT WASHER 6	4	
122	418333-3	HANDLE HM1800	1	
123	418332-5	SWITCH LEVER HM1800	1	
124	421850-4	DUST PLATE HM1800	1	
125	256206-0	PIN 4 4399DW	1	
126	345355-9	SUPPORT HM1800	1	
127	265995-6	TAPPING SCREW 4X18	2	
128	651131-4	AC/DC SWITCH C3D-15MS 8600N	1	
129	419045-1	SWITCH COVER	1	
130	265995-6	TAPPING SCREW 4X18	2	
131	685718-0	SPONGE SHEET JR3000V	1	
133	213373-4	O RING 22 906/6822/6823/6825	1	
134	819213-0	MAKITA LOGO LABEL	1	
135	265995-6	TAPPING SCREW 4X18	1	
A01	783203-8	HEX WRENCH 5 5604R/HR2210/BSR7	1	
E01	655030-2	PLUG UK TYPE 2107F/JR3050T	1	115V
E02	654091-9	NON INSULATED TERMINAL LC1230	2	115V
E03	645105-5	NOISE SUPPRESSOR/CONDENSOR 645	1	115V
E04	685725-3	SPONGE SHEET BO3700/4320	1	115V

# SERVICE DRAWING

MODEL NO. HM1810



# SERVICE DRAWING

MODEL NO. HM1810

