

PARTS LEGEND

IM65 F16

Part No. 013320 (EU), 013321 (UK)

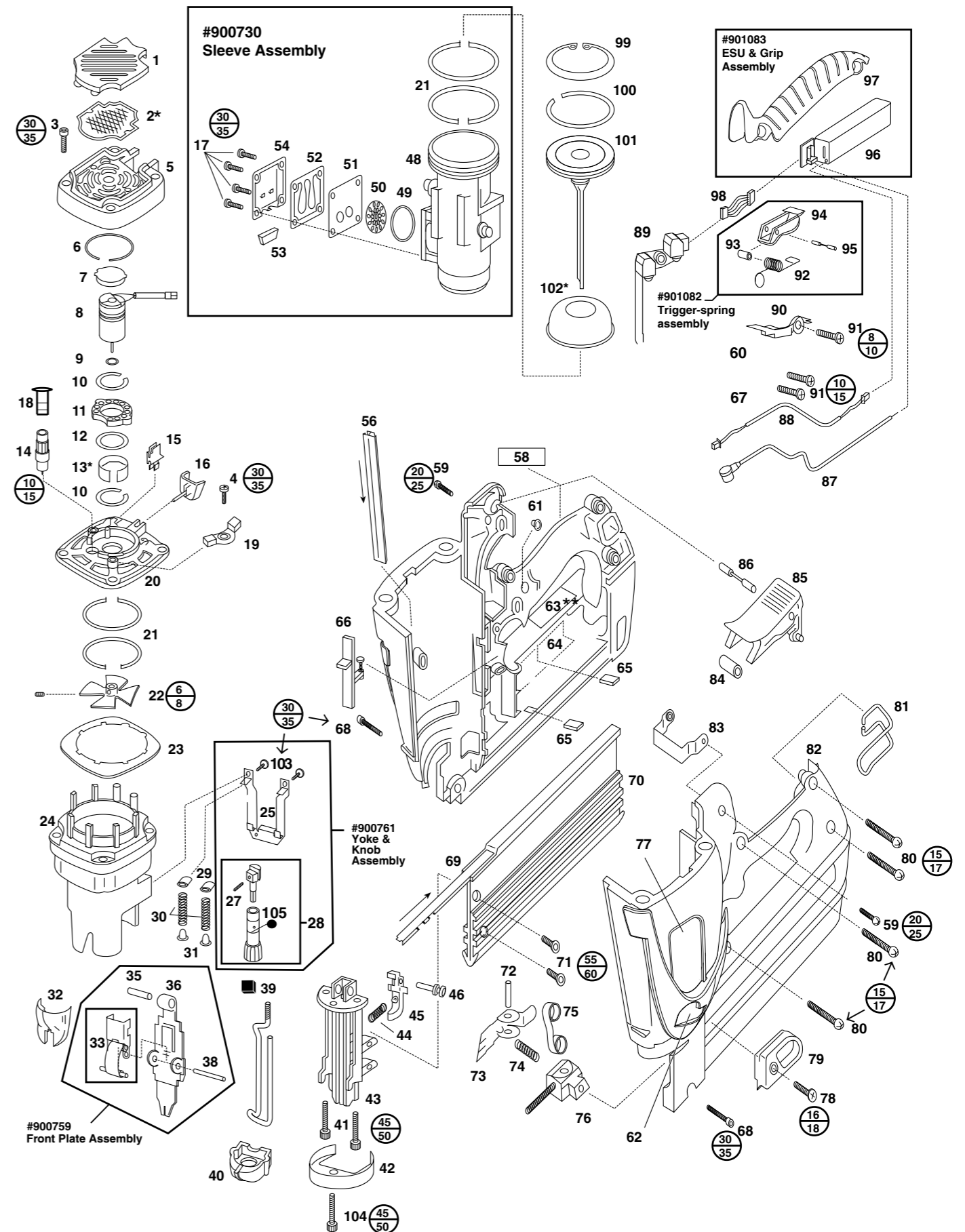
| | | | | | | | |
|------|--------|---|----------------------------------|------|--------|---|--------------------------------|
| 1 | 013715 | 1 | Grill black | 54 | 900668 | 1 | Muffler Cover |
| *2 | 900648 | 1 | Filter | 56 | 900620 | 1 | Front Channel Extrusion |
| 3 | 901064 | 4 | Shoulder Screw 8-32 x 1-3/8" | 58 | 013712 | 1 | Nameplate |
| 4 | 900596 | 1 | Screw, Sems 8-32 x 7/16" | 59 | 900598 | 2 | Sems Screw 10-32 x 5/16" |
| 5 | 902011 | 1 | Cap black | 60 | 900312 | 1 | Contact, Positive |
| 6 | 900649 | 1 | Retaining Ring | 61 | 404385 | 1 | Light Pipe |
| 7 | 900716 | 1 | Cover/Tension Reliever | 62 | 013714 | 2 | P Handle Label |
| 8 | 900524 | 1 | Fan Motor Assembly | 63 | 013671 | 1 | Warning Label Top |
| 9 | 900468 | 1 | Washer, Motor Shaft | 64 | 013672 | 1 | Warning Label Bottom |
| 10 | 900647 | 2 | Retaining Ring | 65 | 404922 | 2 | Battery Contact Pad |
| 11 | 900624 | 1 | Motor Mount Assembly | 66 | 900726 | 1 | Slide Switch Assembly |
| 12 | 900646 | 1 | Wave Washer | 67 | 900311 | 1 | Contact, Negative |
| *13 | 401356 | 1 | Motor Sleeve | 68 | 900792 | 2 | Shoulder Screw 8-32 x 15/32" |
| 14 | 900714 | 1 | Spark Plug Assembly | 69 | 902007 | 1 | Brad Channel |
| 15 | 900674 | 1 | Wire Clip | 70 | 902003 | 1 | Magazine Extrusion |
| 16 | 900697 | 1 | Stem Adapter | 71 | 900660 | 2 | Screw 10-32 x 3/8" |
| 17 | 405140 | 4 | Screw 8-32 x 3/8" (red) | 72 | 900722 | 1 | Follower Pin |
| 18 | 900785 | 1 | Insulator | 73 | 902002 | 1 | Follower |
| 19 | 900739 | 1 | Cylinder Head Circuit Board Ass. | 74 | 900691 | 1 | Compression Spring |
| 20 | 900605 | 1 | Cylinder Head | 75 | 900627 | 1 | Negator Spring |
| 21 | 900612 | 4 | Seal Ring | 76 | 900720 | 1 | Follower Core |
| 22 | 900709 | 1 | Fan Assembly | 77 | 013708 | 2 | Housing Label |
| 23 | 900700 | 1 | Air Dam | 78 | 900724 | 1 | Screw Plastite 8-16 x 5/8" |
| 24 | 900729 | 1 | Combustion Chamber Assembly | 79 | 902008 | 1 | Follower Body |
| 25 | 900704 | 1 | Yoke | 80 | 901066 | 4 | Screw Plastite 8-16 x 3/4" |
| 27 | 900734 | 1 | Roll Pin | 81 | 900289 | 1 | Belt Hook |
| 28 | 900727 | 1 | Knob w/ Yoke Guide Assembly | 82 | 013702 | 1 | Handle assembly - Right & Left |
| 29 | 900707 | 2 | Probe Bumper | 83 | 900703 | 1 | Handle Bracket |
| 30 | 900671 | 2 | Spring, Combustion Chamber | 84 | 900755 | 1 | Bushing Actuator |
| 31 | 900706 | 2 | Spring Guide | 85 | 900788 | 1 | Actuator |
| 32 | 013706 | 1 | Latch Cover Quick black | 86 | 404433 | 1 | Pin Actuator |
| 33 | 900786 | 1 | Quick Clear Lever Assembly | 87 | 900765 | 1 | Spark Plug Wire Assembly |
| 35 | 900619 | 1 | Dowel Pin | 88 | 900663 | 1 | Fan Wire Assembly |
| 36 | 900684 | 1 | Front Plate | 89 | 901050 | 1 | Molded Circuit Assembly |
| 38 | 900685 | 1 | Latch Cover Pin | 90 | 900629 | 1 | High Tension Clip |
| □ 39 | 900686 | 1 | Probe | 91 | 404702 | 3 | Screw 6-32 x 3/8" |
| 40 | 900702 | 1 | Probe Tip | 92 | 901053 | 1 | Trigger Spring |
| 41 | 900708 | 2 | S.H.C.S. 8-32 x 1/2" (red) | 94 | 901045 | 1 | Trigger with Pad |
| 42 | 900692 | 1 | Retaining Cup | 95 | 901047 | 1 | Trigger Pin |
| 43 | 902001 | 1 | Nose | 96 | 900672 | 1 | Electronic Spark Unit |
| 44 | 900631 | 1 | Spring | 97 | 901044 | 1 | Soft Grip |
| 45 | 900602 | 1 | Lockout Bar | 98 | 900662 | 1 | ESU Power Wire Assembly |
| 46 | 900630 | 1 | Lockout Pin | 99 | 403099 | 1 | Retaining Ring |
| 48 | 900730 | 1 | Sleeve Assembly | 100 | 403098 | 1 | Piston Ring |
| 49 | 900616 | 1 | O-Ring | 101 | 900728 | 1 | Piston Assembly |
| 50 | 901089 | 1 | Exhaust Baffle | *102 | 900680 | 1 | Piston Bumper |
| 51 | 900665 | 1 | Reed Plate | 103 | 900746 | 2 | Screw 8-32 x 7/16" |
| 52 | 900664 | 1 | Reed Valve | 104 | 900754 | 1 | Screw 8-32 x 1/2" (yellow) |
| 53 | 900609 | 1 | Muffler | 105 | 900645 | 1 | Ball, knob |

* Denotes Normal Wear Items

□ Apply Grease Part No. 900767 to threads.

IM65 F16

Part No. 013320 (EU), 013321 (UK)



| TORQUE VALUES | |
|---------------|--------|
| MIN | IN.LBS |
| MAX | |

ACCESSORIES

Car Adapter

Enables you to re-charge your battery with your vehicle's electrical system.



Part No. 900507

Battery Cell



Part No. 404717

Battery Charger Kit

(Replacement Charger Base Only Part No. 035460)
(Replacement Transformer Only Part EU No. 900505)
(Replacement Transformer Only Part UK No. 900506)



Part No. 900200

No-Mar Tip - 3 Pk.

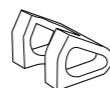
Contains 3 of #900702 tips



Part No. 219236

Special Panelling No-Mar Tip

Position the nailer for a 45 degree shot



Part No. 012027

9/64" Hex Key

For cleaning tool.



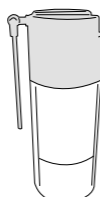
Part No. 900736

Orange Safety Glasses



Part No. 011117

Paslode Intensive Tool Cleaner 300 ml



Part No. 115521

Paslode Impulse Lubricating Oil



Part No. 401482

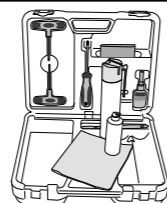
Carrying Case



Part No. 013301

Cleaning Kit

Contains all the necessary to clean any Impulse tool



Part No. 013060

Paslode[®]
An Illinois Tool Works Company
Route de Lyon - BP 104
F - 26501 Bourg Les Valence - Cedex France

Paslode[®]
Impulse

Part No. 013320 (EU), 013321 (UK)

16 GAUGE STRAIGHT FINISH NAILER



IM65 F16

IMPORTANT! DO NOT DESTROY

Always refer to operating and safety instructions (#013395 & #013207) for detailed information on this tool. It is the customer's responsibility to have all operators and service personnel read and understand this information.

TOOL SCHEMATIC AND PARTS