

Double Width Ladder Frame Frame

500mm Rung Pitch, 250mm Ladder Rung Pitch

Order Code	Component Name	Height (m)	Weight (kg)
	1450 "Double Width" Ladder Frame		
305543	3 Rung	1.500	15.10
304543	4 Rung	2.000	19.78

Double Width Span Frame

500mm Rung Pitch

Order Code	Component Name	Height (m)	Weight (kg)
	1450 "Double With" Span Frame		
303543	2 Rung	1.000	8.00
302543	3 Rung	1.500	11.00
301543	4 Rung	2.000	14.30

Single Width Ladder Frame Frame

500mm Rung Pitch, 250mm Ladder Rung Pitch

Order Code	Component Name	Height (m)	Weight (kg)
	850 "Single Width" Ladder Frame		
311543	3 Rung	1.500	10.40
310543	4 Rung	2.000	11.70

Single Width Span Frame

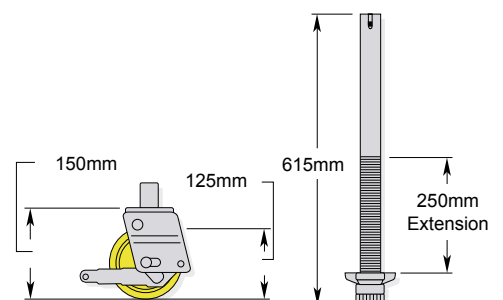
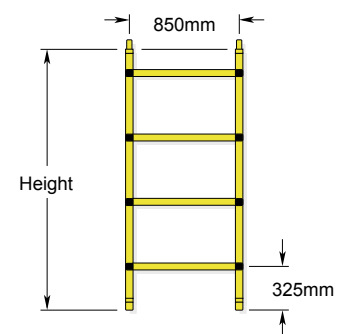
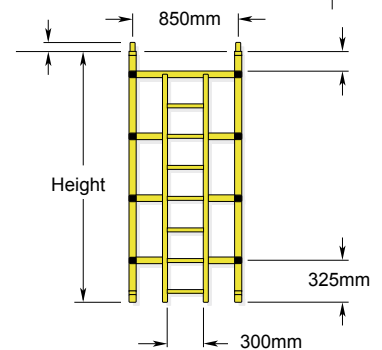
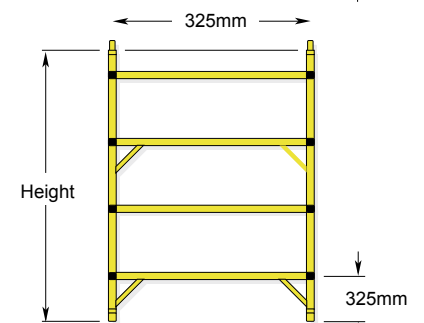
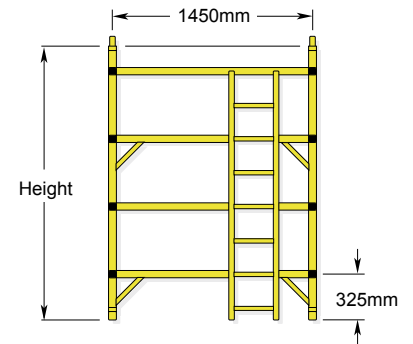
500mm Rung Pitch

Order Code	Component Name	Height (m)	Weight (kg)
	850 "single With" Span Frame		
309543	2 Rung	1.000	3.52
308543	3 Rung	1.500	4.99
307543	4 Rung	2.000	6.58

Castor and Adjustable Leg

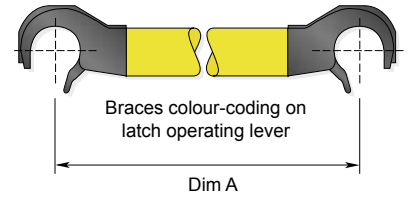
Order Code	Component Name	Weight (kg)
328423	Castor 150mm*	3.25
357543	Adjustable Leg	2.50

*200mm also available



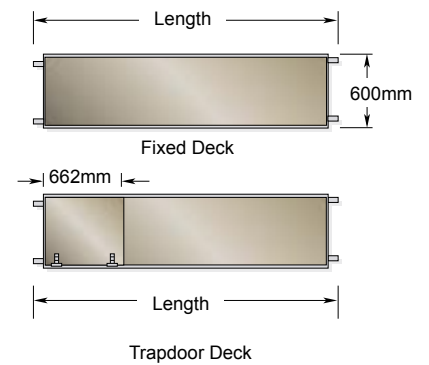
Horizontal, Diagonal, Handrail Braces

Order Code	Component Name	Dim A (m)	Weight (kg)
346543	1.8m Horiz. (Red)	1.800	1.88
345543	2.5m Horiz. (Red)	2.500	2.37
343543	2.1m Diag (Blue)	2.059	2.06
342543	2.7m Diag (Blue)	2.693	2.50



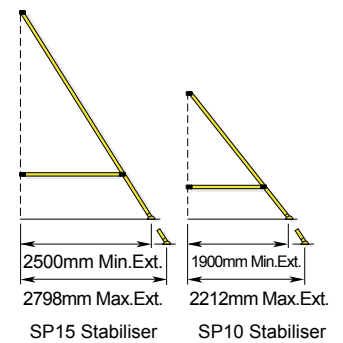
Fixed Deck and Trapdoor Deck

Order Code	Component Name	Height (m)	Weight (kg)
322543	Fixed Deck 2.5m	2.500	22
323543	Fixed Deck 1.8m	1.800	20
325543	Trapdoor Deck 2.5m	2.500	24
326543	Trapdoor Deck 1.8m	1.800	22



Stabilisers

Order Code	Component Name	Height (m)	Weight (kg)
	Telescopic Stabiliser		
352543	Small SP10	2.212	9.07
353543	Large SP15	2.798	12.70



Timber Toeboard

Order Code	Component Name	Dim B (m)	Weight (kg)
335543	End Toeboard 600mm	0.908	1.50
334543	End Toeboard 1200mm	1.508	2.50
331543	Side Toeboard 1.8m	1.823	3.00
333543	Side Toeboard 2.5m	2.408	4.00

